

Air Breathers

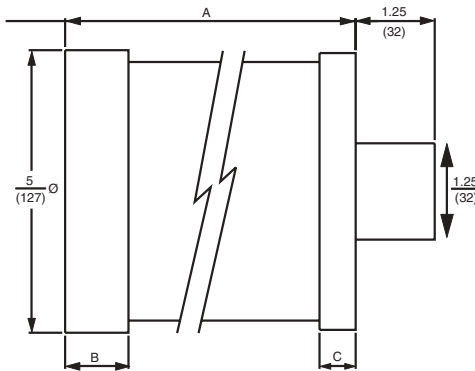


D-AB-4



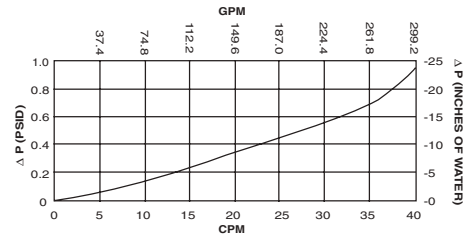
R-AB-4

D-AB-4
R-AB-4
Adapters for both models



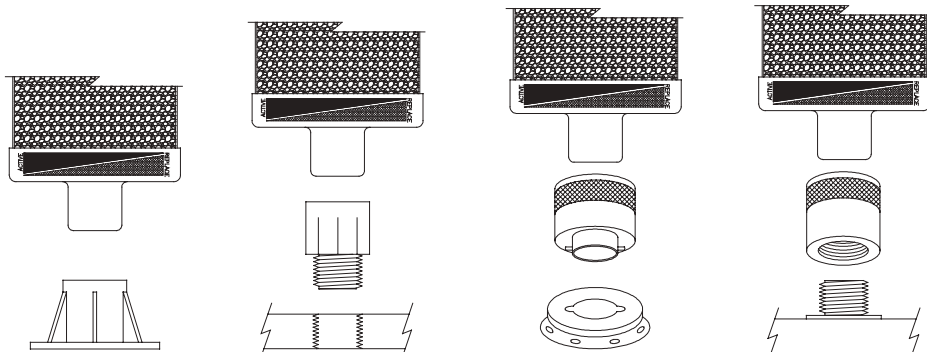
Specifications

Model Number	Normal Capacity	Air Flow/psi Drop	A	B	C
D-AB-4	35 SCFM	0.70 psi at 35 SCFM	8 (203)	1.75 (44)	0.75 (19)
R-AB-4	35 SCFM	0.70 psi at 35 SCFM	10 (254)	3.00 (76)	1.50 (38)



Both D-AB-4 and R-AB-4 require an adapter, purchased separately and described below.

Adapter Selection Guide



Flange Adapter
Part No. D-AB-FA (without holes)
Part No. D-AB-FA1 (with holes)

Threaded Adapter
Part No. D-AB-TA1 (1" MNPT)
Part No. D-AB-TA34 (3/4" MNPT)

Bayonet Adapter
Part No. D-AB-BA

Spin On Adapter
Part No. D-AB-SOA1 (1" 12UNF)
Part No. D-AB-SOA112 (1-1/2" 16UNF)

The R-AB-4 features inlet and outlet check valves located in the reusable cap (head), which control both the airflow into the reservoir and the airflow out of the reservoir and prolongs the life of the desiccant by allowing the air to flow through the breather only when needed to protect the integrity of the reservoir by establishing the thresholds of vacuum (air in) and pressure (air out). Check valve settings are 0.3 psi in and 2.1 psi out.

The R-AB-4 also includes a reusable top cap which allows for the economic replacement of the desiccant cartridge.

P/N for replacement cartridge is R-AB-ELE.