

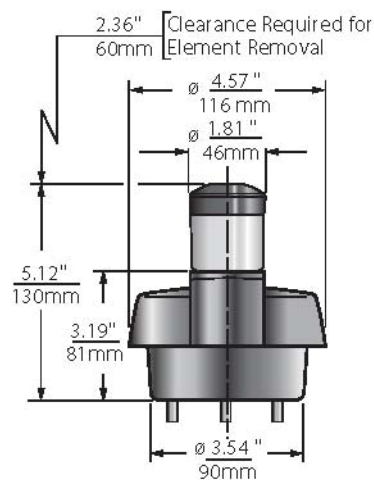
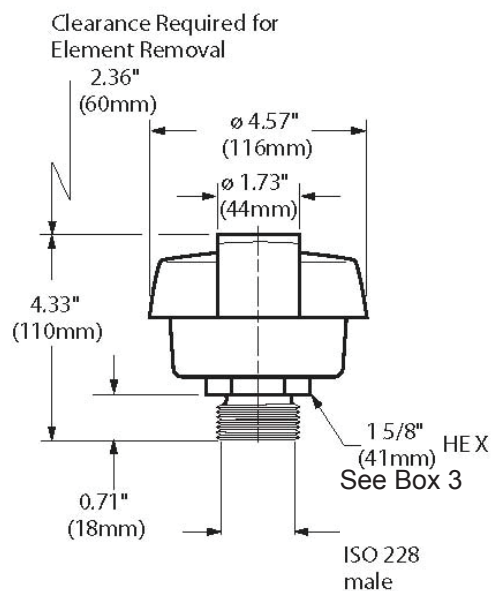
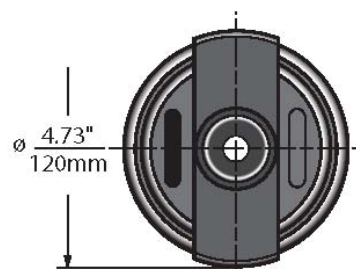
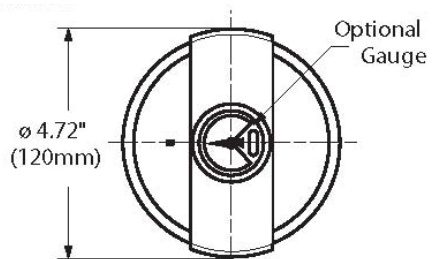
PAB7 Breather



Specifications:

- Maximum flow rate - 65 SCFM / 500 GPM
- Durable synthetic material (Nylon 6)
- 3 μ m filtration rating
- Replaceable filter phenolic resin impregnated filter element
- Threaded breather cap connection
- Optional visual indicator
- Integrated anti-splash insert

Dimensions:



Schroeder
INDUSTRIES

580 West Park Rd.
Leetsdale, PA 15056
724.318.1100 • 724.318.1200

How to Build a Valid Model Number for a Schroeder PAB7:

BOX 1	BOX 2	BOX 3	BOX 4	BOX 5	BOX 6	BOX 7
<input type="text"/>	- <input type="text"/>	- <input type="text"/>	- <input type="text"/>	- <input type="text"/>	- <input type="text"/>	- <input type="text"/>

Example: *Note: Only one option per box*

BOX 1	BOX 2	BOX 3	BOX 4	BOX 5	BOX 6	BOX 7	
<input type="text" value="PAB7"/>	<input type="text" value="R"/>	<input type="text" value="P"/>	<input type="text" value="3"/>	<input type="text" value="N"/>	<input type="text" value=".75"/>	<input type="text"/>	= PAB7RP3N.75

Model Code for the PAB7:

<p>Box 1</p> <p>Model Number</p> <p>PAB7</p>	<p>Box 2</p> <p>Replacement Elements</p> <p>R = Replaceable Elements</p>	<p>Box 3</p> <p>Connection Type</p> <p>P = NPT S = SAE</p>	<p>Box 4</p> <p>Filtration Rating</p> <p>3</p>	<p>Box 5</p> <p>Gauge Option</p> <p>N = No Gauge W = With Gauge</p>
<p>Box 6</p> <p>Connection Size</p> <p>.75 NPT Only 16 - SAE Only</p>	<p>Box 7</p> <p>Options</p> <p>OMIT - None</p>			

Replacement Elements: R-PAB7-3